

## Ventilation Equipment

### Hood without fan motor for 6 & 10 GN 1/1 lengtwise combi ovens

ITEM # \_\_\_\_\_

MODEL # \_\_\_\_\_

NAME # \_\_\_\_\_

SIS # \_\_\_\_\_

AIA # \_\_\_\_\_


**922733 (HOBT11)**

 Exhaust hood without fan for  
 6&10 1/1GN ovens

### Short Form Specification

Item No. \_\_\_\_\_

- Constructed in 304 AISI stainless steel
- Equipped with labyrinth filters in 304 AISI stainless steel (positioned on front)
- Suitable for installation on LW COMBI OVENS 6 & 10 GN 1/1.

### Main Features

- Filtering surface protects against fire hazard.
- Requires connection to an external exhaust air duct.
- Frontal labyrinth and condensation filters are easy to remove and cleanable in a dishwasher.
- Can be used with 6 and 10 GN 1/1 LW combi ovens.
- Double step door opening (PNC 922265) is suggested to improve filtering performance.
- Calculate the air exchange rate for the complete kitchen environment and ensure the compliance with ventilation norms (e.g. VDI 2052 Standard for ventilation of commercial kitchens - or any local reference). An insufficient air exchange rate may cause malfunctioning of the hood.

### Construction

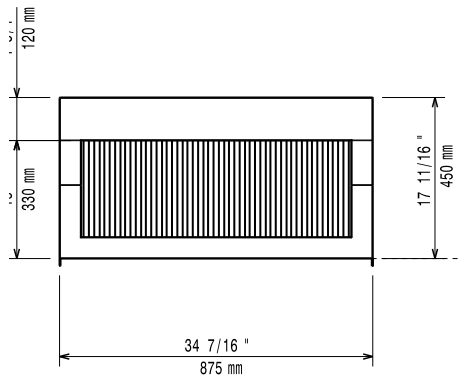
- Constructed entirely in 304 AISI stainless steel.
- Prefiltering of exhaust steam through stainless steel labyrinth filters.
- Developed and produced in ISO 9001, ISO 14001 and ISO 50001 certified factory.
- Must be installed in a space where normal aeration, according to regulations, is present.

### Optional Accessories

- Hood Hopper to directly connect the Hood to the centralized ventilation system, for Standard Hoods (with fan motor) and Hoods without fan motor PNC 922751

APPROVAL: \_\_\_\_\_

Front

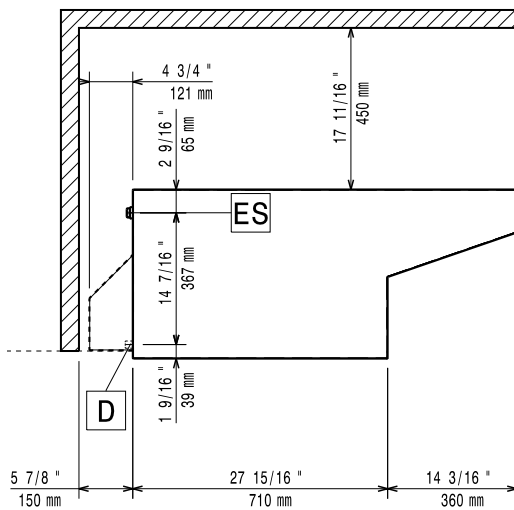

**Key Information:**

External dimensions, Width:	875 mm
External dimensions, Depth:	1070 mm
External dimensions, Height:	450 mm
Net weight:	23 kg
Shipping weight:	37 kg

**Air Emission:**

Air capacity:	
922733 (HOBT11)	1200-1500 m <sup>3</sup> /h

Side



Top

